

F-177393-EN-0318

**BENZ GmbH Werkzeugsysteme**

Im Mühlegrün 12  
D-77716 Haslach  
T +49 7832 704-0  
F +49 7832 704-8001  
info@benz-tools.de  
www.benz-tools.de



# MULTI V3 CABINEO FOR CONNECTOR POCKETS

Tooling Technology

Wood/Composites/  
Aluminium machining



For connector Cabineo

**Lamello**

# MULTI-SPINDLE HEAD – CLASSIC LINE

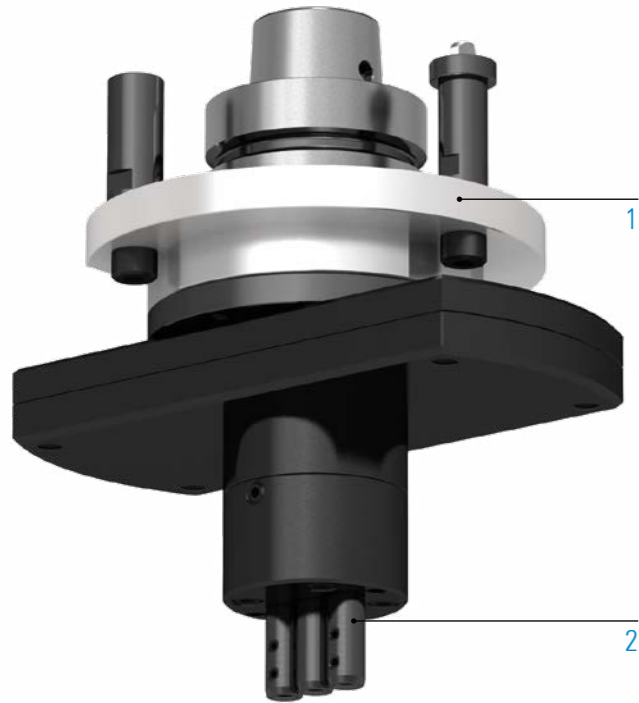
## MULTI V3 CABINEO

### TECHNICAL DATA

Lubrication	Grease
Max. drive speed $n_2$	10,000rpm
Transmission ratio ( $n_1: n_2$ )	1:1
Max. drive torque $M_2$	3Nm
Weight	about 4 kg

### STANDARD DESIGN

- 1  Machine connection  
HSK - F63  
Also available for other machine connections
- 2  3 Number of spindles
-  11,2 Spindle distance
-  Output spindle  
Weldon Ø6



The connector pockets are machined by the multi-spindle head in one single step.

## CONNECTOR CABINEO


### EASY MACHINING AND ASSEMBLY

#### MACHINING




Drilling

#### SPECIFICATIONS

 Number of output spindles

 Axis angle

 C-angle

 Grease lubrication

#### ORDER DIRECTLY



Inquiry form:  
[www.benz-tools.de/en/produkte](http://www.benz-tools.de/en/produkte)

#### Advantages of the connector Cabineo



A No edge drilling



B No dowel holes



C One-piece and preinstalled



D Fast assembly



E High clamping force



F Panels from 12 mm thickness



G Installation of fixed shelves in assembled units



H Simple, fast and strong